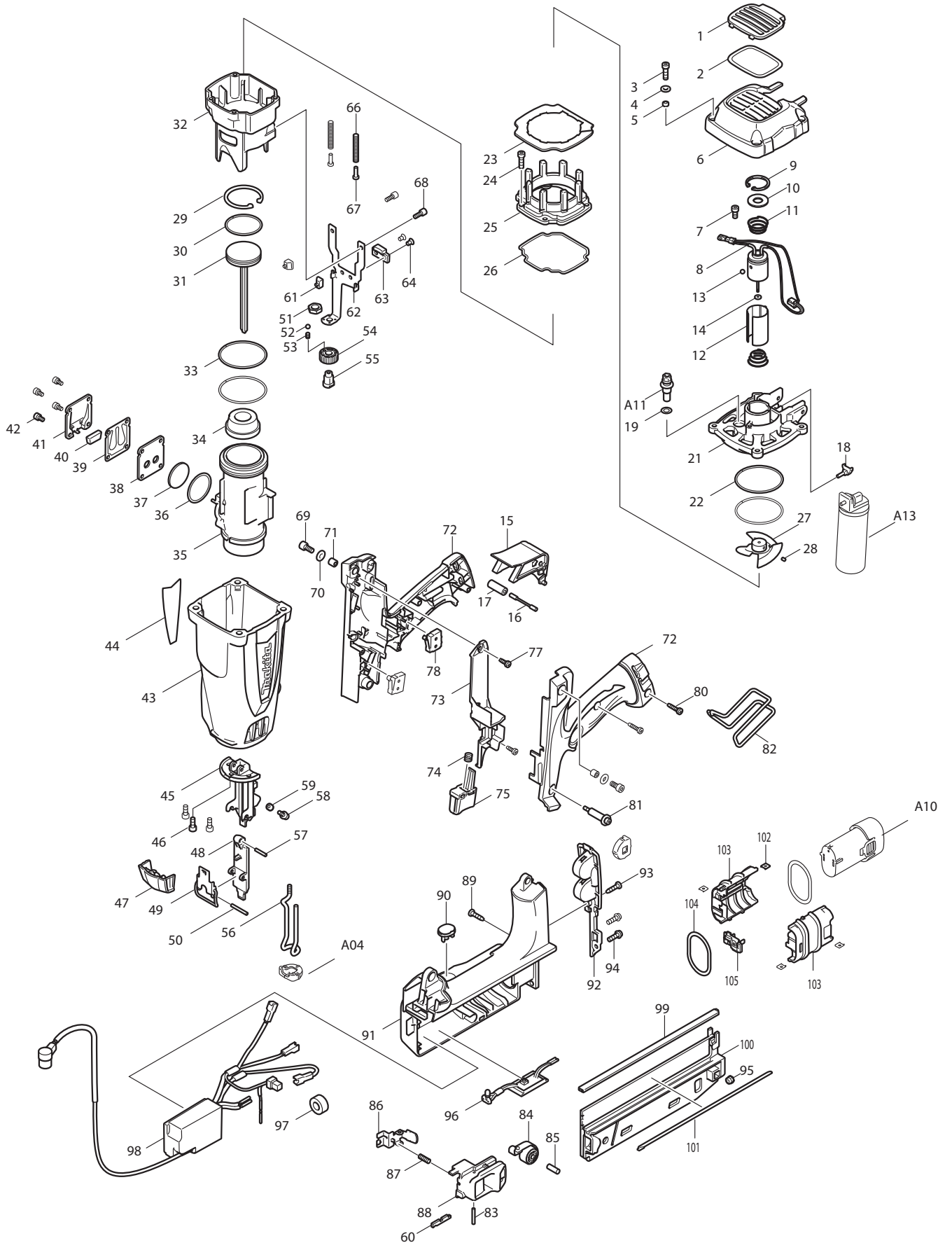




12 - 2013

FG01

GAS STRAIGHT FINISH NAILER 16G



Item No.	Type	Sub	Part No.	Description	Qty	Unit
1			452900-4	FILTER COVER	1	PC.
2			162327-7	FILTER	1	PC.
3			922127-5	HEX. SOCKET HEAD BOLT M4X16	4	PC.
4			941051-3	FLAT WASHER 4	4	PC.
5			257754-2	SLEEVE 4	4	PC.
6			452899-3	TOP CAP	1	PC.
7			266273-7	HEX. SOCKET HEAD BOLT M4X12	1	PC.
8			629925-5	DC MOTOR	1	PC.
9			962103-7	RETAINING RING R-24	1	PC.
10			253024-7	FLAT WASHER 10	1	PC.
11			233969-5	C COMPRESSION SPRING 12-18	2	PC.
12			454002-2	MOTOR SLEEVE	1	PC.
13			216019-1	STEEL BALL 3	1	PC.
14			261141-9	EPOXY WASHER 2	1	PC.
15			452904-6	ACTUATOR	1	PC.
16			324976-0	SHOULDER PIN 4	1	PC.
17			422044-4	RUBBER SLEEVE 9	1	PC.
18			454003-0	STEM ADAPTER	1	PC.
19			213026-5	O RING 7	1	PC.
21			318761-1	CYLINDER HEAD	1	PC.
22			326081-9	CYLINDER RING 54	2	PC.
23			423421-3	CHAMBER RUBBER PLATE	1	PC.
24			922127-5	HEX. SOCKET HEAD BOLT M4X16	4	PC.
25			318760-3	CHAMBER TOP	1	PC.
26			424441-0	CHAMBER SEAL RING	1	PC.
27			240129-2	FAN 52	1	PC.
28			913904-6	SET SCREW (CUP POINT) M3X4	1	PC.
29			962157-4	RETAINING RING R-40	1	PC.
30			326080-1	PISTON RING 39	1	PC.
31			141006-0	DRIVER COMPLETE	1	PC.
32			318759-8	CHAMBER	1	PC.
33			326081-9	CYLINDER RING 54	2	PC.
34			424440-2	FRONT CUSHION	1	PC.
35			318758-0	CYLINDER	1	PC.
36			213492-6	O-RING 32	1	PC.
37			352014-8	EXHAUST FILTER	1	PC.
38			346481-7	EXHAUST PLATE	1	PC.
39			346480-9	EXHAUST VALVE	1	PC.
40			352015-6	SILENCER	1	PC.
41			346482-5	EXHAUST COVER	1	PC.
42			922106-3	HEX. SOCKET HEAD BOLT M4X8	4	PC.
43			452894-3	HOUSING	1	PC.
44			896550-9	FG01 NAME PLATE	1	PC.
45			310487-1	DRIVER GUIDE	1	PC.
46			266797-3	HEX. SOCKET HEAD BOLT M4X12	3	PC.
47			452902-0	LATCH COVER	1	PC.
48			310488-9	DOOR	1	PC.
49			163526-4	LATCH	1	PC.
50			951072-7	SPRING PIN 3-24	1	PC.
51			931403-6	HEX. NUT M8	1	PC.
52			216019-1	STEEL BALL 3	1	PC.
53			233491-2	COMPRESSION SPRING 2	1	PC.
54			452909-6	ADJUSTER DIAL	1	PC.
55			326076-2	ADJUSTER SHAFT	1	PC.
56			326079-6	CONTACT TOP	1	PC.
57			256104-8	PIN 3	1	PC.
58			266273-7	HEX. SOCKET HEAD BOLT M4X12	1	PC.
59			257754-2	SLEEVE 4	1	PC.
60			346486-7	STOPPER	1	PC.
61			424442-8	STOP RUBBER	2	PC.
62			346483-3	ARM	1	PC.
63			310507-1	ARM STOPPER	1	PC.
64			266563-8	H.S. C.S. HEAD SCREW M4X6	2	PC.
66			234219-1	COMPRESSION SPRING 5	2	PC.
67			452905-4	SPRING BUSH	2	PC.
68			922112-8	HEX. SOCKET HEAD BOLT M4X10	2	PC.

Item No.	Type	Sub	Part No.	Description	Qty	Unit
69			922212-4	HEX. SOCKET HEAD BOLT M5X12	2	PC.
70			941102-2	FLAT WASHER 5	2	PC.
71			257539-6	SLEEVE 5	2	PC.
72			187435-3	HANDLE SET	1	PC.
73			452907-0	WIRE COVER	1	PC.
74			231307-5	COMPRESSION SPRING 6	1	PC.
75			452903-8	TRIGGER	1	PC.
77			266020-6	TAPPING SCREW 4X12	2	PC.
78			638642-6	SWITCH UNIT	2	PC.
80			265995-6	TAPPING SCREW 4X18	2	PC.
81			266694-3	SHOULDER H.SOCKET HEAD BOLT M4	1	PC.
82			326077-0	HOOK	1	PC.
83			256221-4	PIN 3	1	PC.
84			141005-2	SPIRAL SPRING COMPLETE	1	PC.
85			268225-4	PIN 5	1	PC.
86			346485-9	PUSHER	1	PC.
87			233285-5	COMPRESSION SPRING 4	1	PC.
88			452901-2	PUSHER LEVER	1	PC.
89			265995-6	TAPPING SCREW 4X18	1	PC.
90			141004-4	SWITCH PLATE COMPLETE	1	PC.
91			141316-5	MAGAZINE COVER COMPLETE	1	PC.
		INC.	890407-6	CAUTION LABEL EN/FR	1	PC.
92			452898-5	MAGAZINE END	1	PC.
93			265995-6	TAPPING SCREW 4X18	1	PC.
94			915121-4	BINDING HEAD SCREW M4X14	2	PC.
95			252126-6	HEX. LOCKING NUT M4-7	2	PC.
96	2		620219-1	LIGHT CIRCUIT	1	PC.
98			620094-5	SPARK UNIT	1	PC.
99			346484-1	NAIL RAIL	1	PC.
100			452897-7	MAGAZINE	1	PC.
101			346487-5	NAIL HOLDER	1	PC.
102			345749-8	SET PLATE	4	PC.
103			188598-8	BATTERY CASE SET	1	PC.
104			424152-7	RUBBER RING 40	2	PC.
105			643817-4	TERMINAL	1	PC.
110			922107-1	HEX. SOCKET HEAD BOLT M4X8 FOR #346488-3 (Item No.A02)	1	PC.
D01			654108-8	RECEPTACLE STO-41T-187N	1	PC.
D02			654509-0	CONNECTOR 2-SD	2	PC.

ACCESSORIES

A01			195246-2	SAFETY GOGGLE	1	PC.
A02			346488-3	SHORT NAIL ADAPDER (Used with Item No. 110)	1	PC.
A04			424443-6	NOSE ADAPTER	2	PC.
A05			783201-2	HEX. WRENCH 3	1	PC.
A06			783202-0	HEX. WRENCH 4	1	PC.
A07			824990-1	PLASTIC CARRYING CASE	1	PC.
		INC.	162315-4	LATCH	2	PC.
A09	1		DC07SA	CHARGER DC07SA	1	PC.
	2		DC10WB	CHARGER DC10WB	1	PC.
A10	1		194356-2	7.2V LI-ION BATTERY BL7010	2	PC.
	2		198001-1	7.2V LI-ION BATTERY BL0715	2	PC.
A11			162326-9	SPARK PLUG	1	PC.
A12			194852-0	CLEANING SET	1	PC.
		INC	242075-5	CLEANER	1	PC.
		INC	242077-1	LUBRICANT OIL 100ML	1	PC.
A13			242090-9	FUEL CELL	1	PC.